

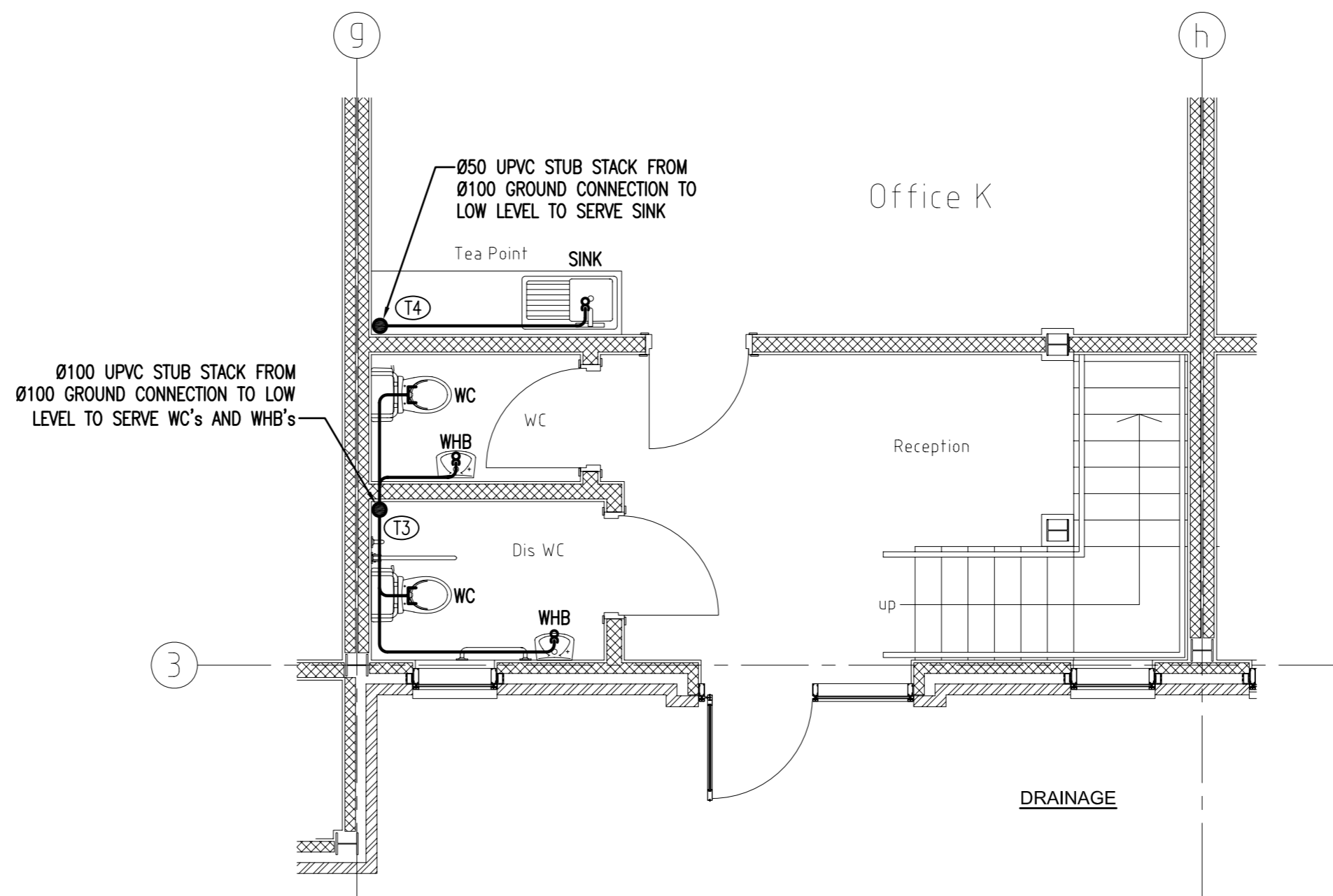
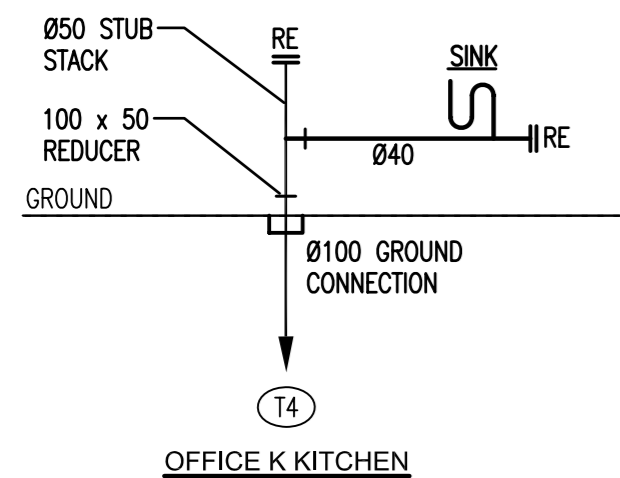
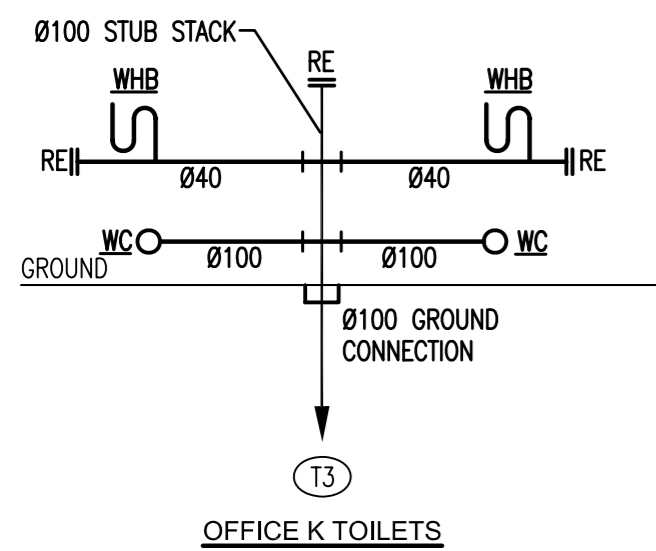
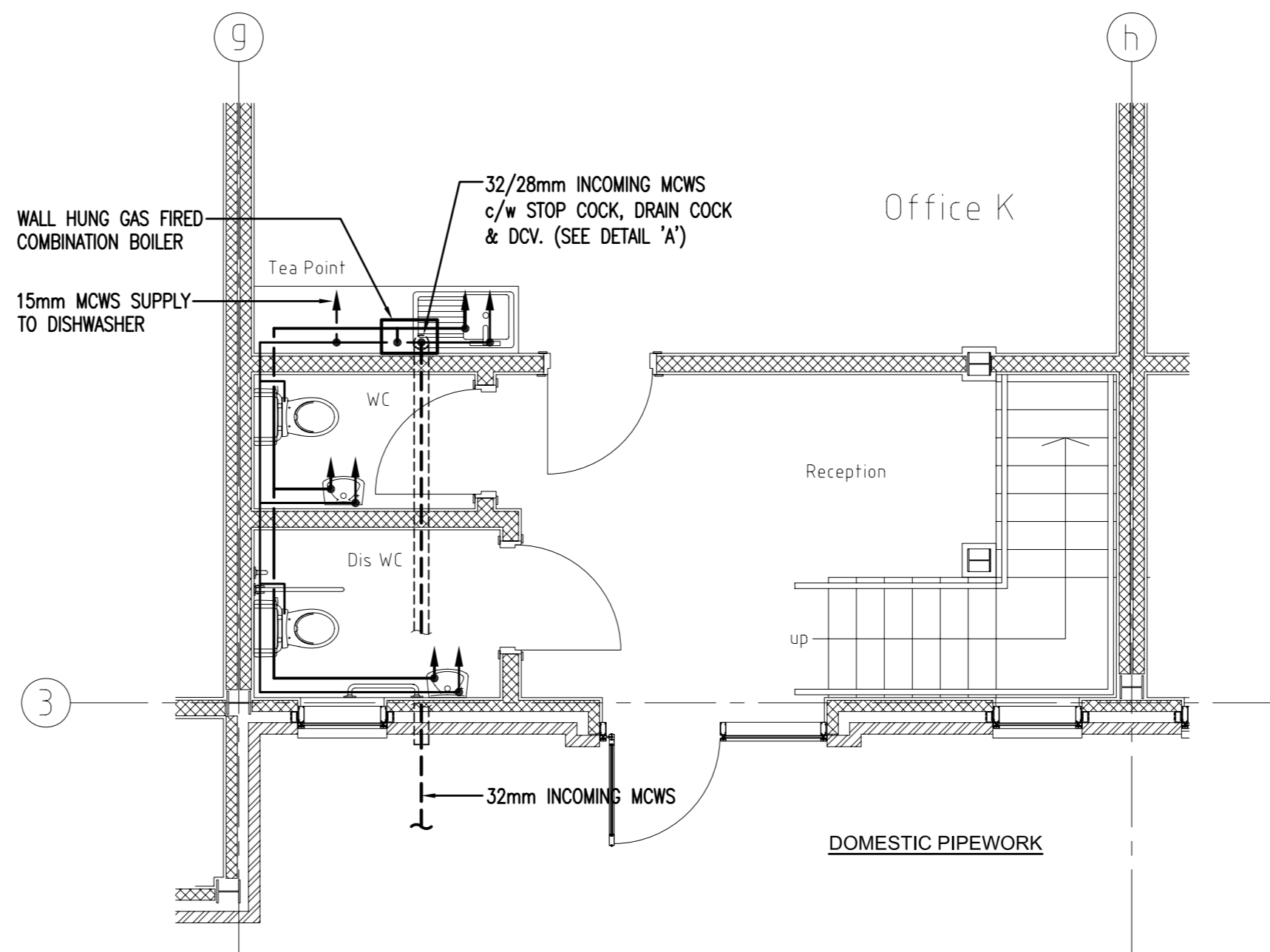
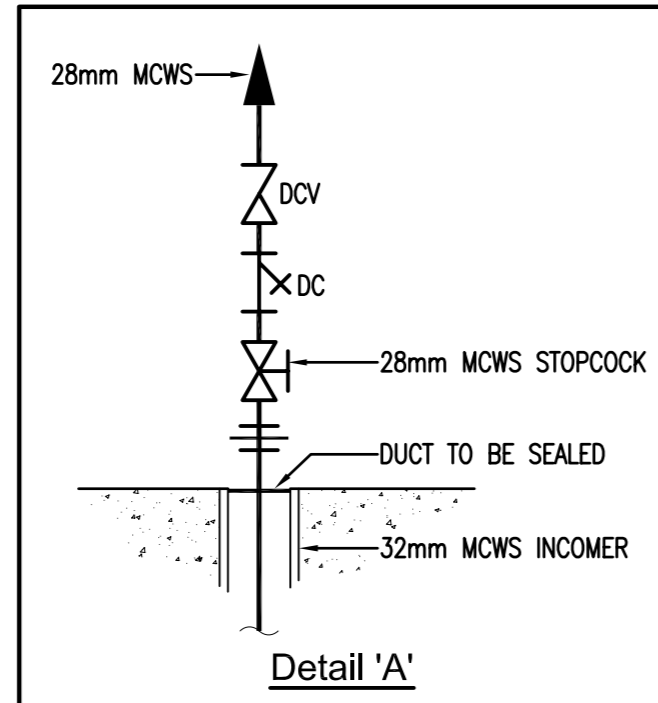
The copyright of this drawing and design is vested solely in Alcad Draughting Services. Reproduction of this document, in whole or in part, is prohibited other than with the express permission of the above company.

LEGEND:

- MCW - MAINS COLD WATER
- HWS - HOT WATER SERVICE
- DC - DRAIN COCK
- SC - STOP COCK
- DCV - DOUBLE CHECK VALVE
- T/A - TO ABOVE
- F/A - FROM ABOVE
- F/B - FROM BELOW
- T/B - TO BELOW
- WC - WATER CLOSET WITH Ø150 MULTILINK PAN CONNECTOR TO Ø100 FLOAT
- WHB - WASH HAND BASIN WITH Ø32 DEEP SEAL BOTTLE TRAP TO Ø32 WP TO Ø40 FLOAT
- SINK - SINK WITH Ø40 DEEP SEAL TUBULAR TRAP TO Ø40 WP TO Ø40 FLOAT
- RE - RODDING EYE
- AD - ACCESS DOOR

NOTES:

- 1) ALL FINAL CONNECTIONS SHALL BE PROVIDED WITH QUARTER TURN BALL VALVES.
- 2) ALL EXPOSED PIPEWORK SHALL BE CHROME PLATED.
- 3) ALL CONCEALED PIPEWORK SHALL BE INSULATED.
- 4) STACKS T2 AND T6 EXTENDED TO ROOF TO VENT TO ATMOSPHERE TO PROVIDE BELOW GROUND DRAINAGE VENTILATION TO MANHOLES F8 AND F9 RESPECTIVELY



Rev	Date	Description	By
B	06/11/08	SCHEMATIC DETAILS ADDED	AH
A	12/08/08	ARCHITECTURAL LAYOUT REVISED	AH

Amendments

CONSTRUCTION

Client
S.C.H. PROPERTIES Ltd.

Job Title
MERLIN TECHNOLOGY PARK
READING

Drawing Title
OFFICE K
GROUND FLOOR
DOMESTIC PIPEWORK
& DRAINAGE LAYOUT

Drawn Alcad	Scale 1:50@A2	Checked J.K.
Date 20/06/08	Client Ref. SCH1	Approved D.W.

ALCAD
Draughting Services
29 Instone Road Halesowen West Midlands B63 4SA
Tel: 07973 117873 Fax: 07970 764146 Email: alan@alcad.co.uk

Drawing No. 1704/M02	Issue B
Job No. SCH03/2008	1704-M02.dwg