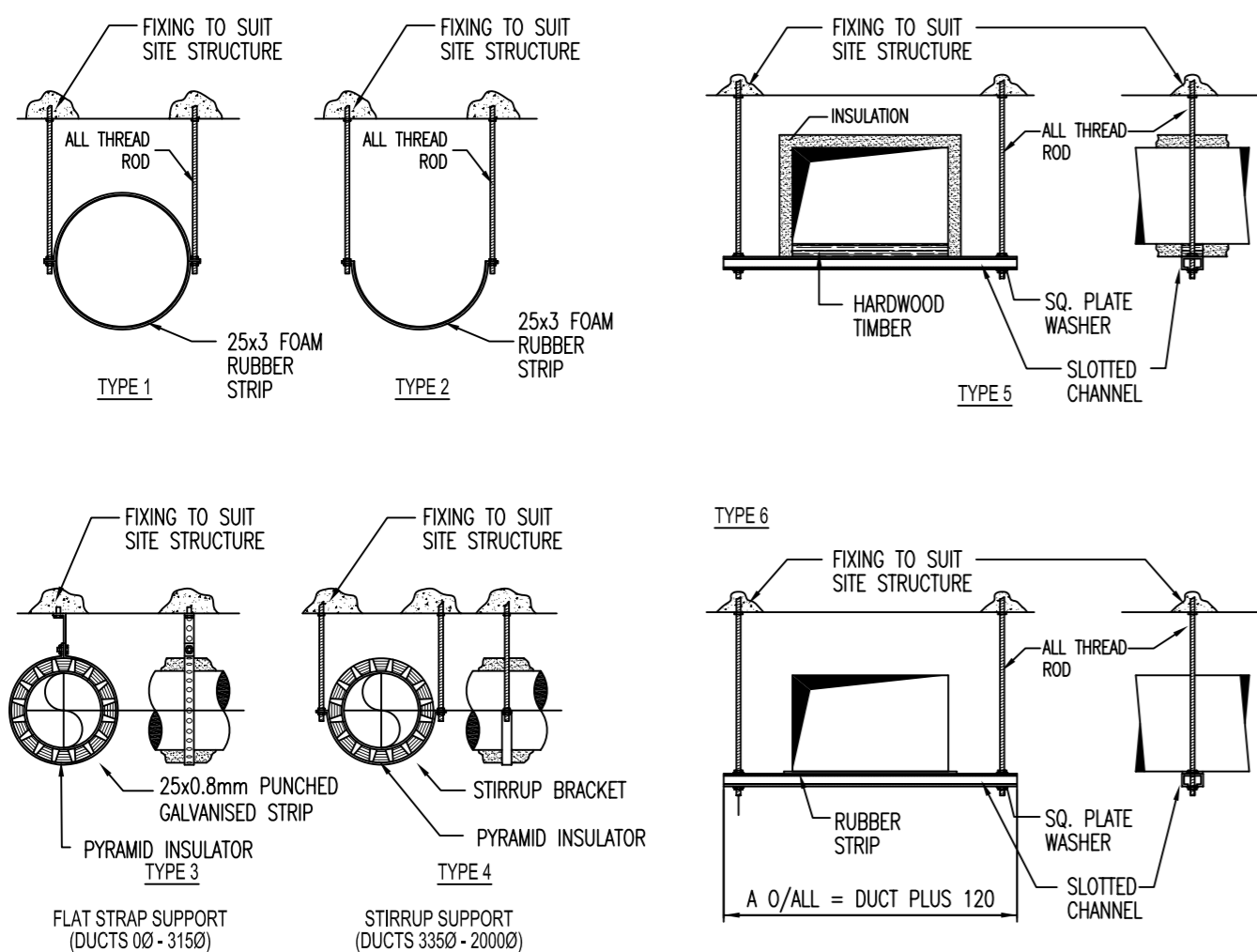
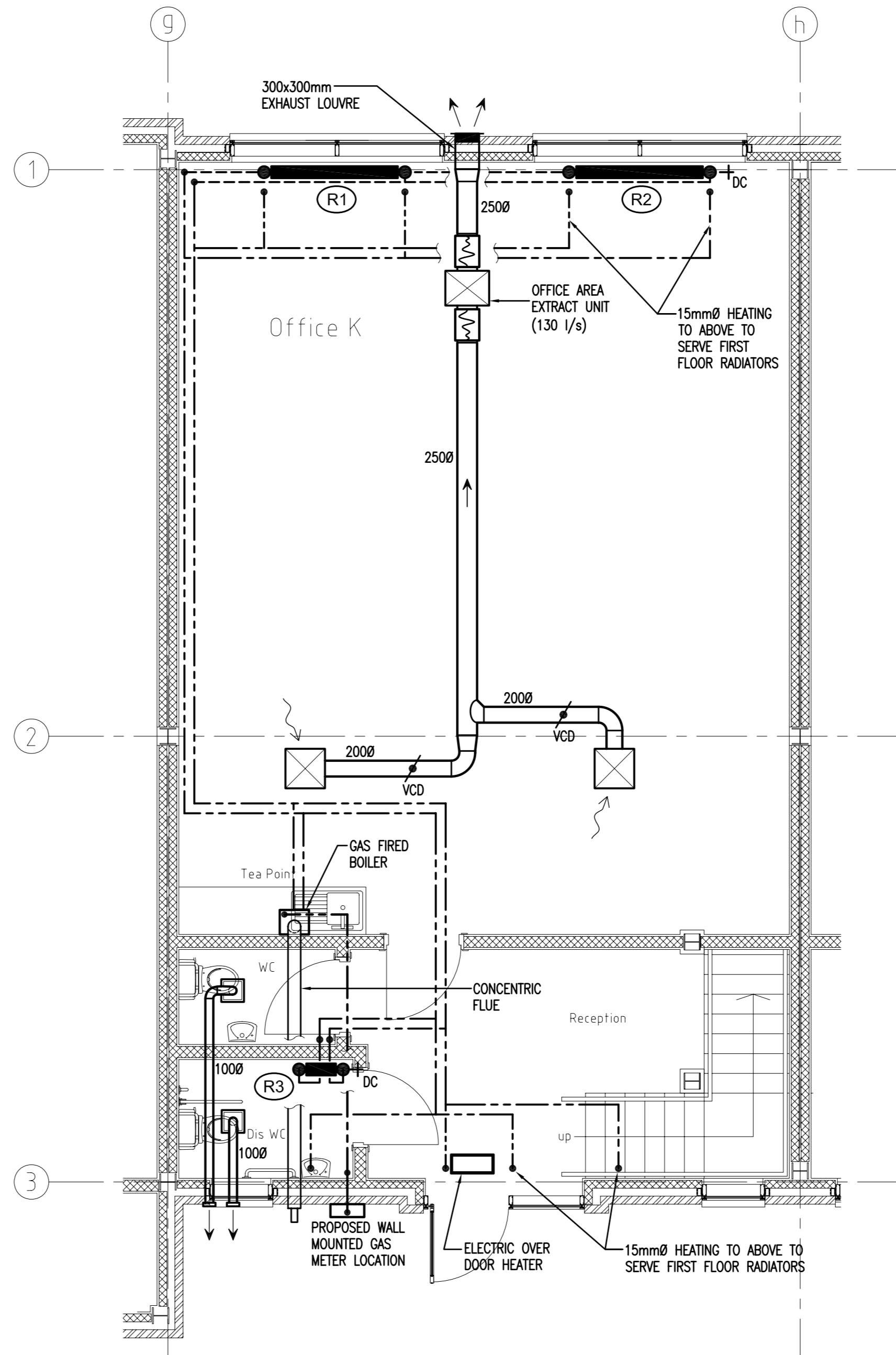


NOTES:

1. ALL LPHW HEATING PIPEWORK OVER 65mmØ SHALL BE WELDED USING BS1965 WELDABLE FITTING WITH PN16 FLANGES AND BS1387 HEAVY GRADE PIPEWORK. MARPRESS PRESS FITTING MAY BE USED AS AN ALTERNATIVE TO WELDING.
2. ALL HIGH POINTS TO HAVE AUTOMATIC AIR VENTS WITH 10mm VENT PIPES DISCHARGING TO FOUL DRAINAGE. ALL LOW POINTS TO HAVE DRAIN COCKS ON BOTH FLOW AND RETURN.
3. ALL PIPEWORK WITHIN PUBLIC AREAS TO BE BOXED-IN. ALL CONCEALED PIPEWORK WITHIN BOXING AND CEILING VOIDS TO BE INSULATED WITH 13mm THICK ARMAFLEX CLASS 'O' INSULATION.
4. ALL LPHW HEATING PIPEWORK 54mmØ AND BELOW TO BE COPPER TUBE TABLE X WITH YORKSHIRE SOLDER RING FITTINGS OR MARPRESS O-RING TYPE PRESS FITTINGS. END FEED FITTINGS WILL NOT BE ACCEPTABLE. ALL VALVES AND FINAL EQUIPMENT CONNECTIONS ARE TO BE MADE WITH COMPRESSION TYPE FITTINGS, FLANGES OR UNION.
5. EXPANSION BELLOWS TO BE INSTALLED WHERE NECESSARY TO MANUFACTURERS INSTRUCTIONS.
6. ALL PIPEWORK IN VOIDS, BOILER ROOM AND BOXING TO BE INSULATED.
7. ALL LOW POINTS TO HAVE DRAIN COCKS.
8. ALL GAS PIPEWORK INSTALLATIONS TO BE IN ACCORDANCE WITH CURRENT REGULATIONS.
9. ALL GAS PIPEWORK TO BE MILDSTEEL MEDIUM GRADE TO BS1387 65mm AND ABOVE WALLPED TO BS1965 WITH 50mm AND BELOW SCREWED.



DUCT SUPPORT DETAILS (Not To Scale)



Rev	Date	Description	By
C	02/11/08	MOUNTING DETAILS ADDED	AH
B	22/10/08	DUCTWORK RE-SIZED	AH
A	12/08/08	ARCHITECTURAL LAYOUT REVISED	AH

Amendments

CONSTRUCTION

Client

S.C.H. PROPERTIES Ltd.

Job Title

MERLIN TECHNOLOGY PARK
READING

Drawing Title

OFFICE K
GROUND FLOOR
HEATING &
VENTILATION LAYOUT

Drawn	Scale	Checked
Alcad	1:50@A2	J.K.
Date	Client Ref.	Approved
18/06/08	SCH1	D.W.

ALCAD
Draughting Services

29 Instone Road Halesowen West Midlands B63 4SA
Tel: 07973 117873 Fax: 07970 764146 Email: alan@alcad.co.uk

Drawing No.	Issue
1704/M01	C
Job No.	1704-M01.dwg
SCH03/2008	